



READ BEFORE INSTALLATION

SOLF

LED Solar Light
Instruction Sheet

Please read the following **EXTREMELY IMPORTANT** information **BEFORE INSTALLATION** to ensure your satisfaction.



WARNING

Read this Instruction manual carefully to ensure proper installation. Please keep this instruction manual for future use.

MUST KNOW ABOUT THIS FIXTURE:

- This solar fixture is equipped with a dusk to dawn sensor only to turn on when darkness is detected.
- The fixture is designed to stay on with dimmed brightness all night and switch to full brightness when motion is detected. The fixture isn't intended to stay on 100% brightness continuously.
- The average direct sunshine exposure in the installation area should be at MINIMUM 3.5h/day to ensure the full functionality of the lighting fixture.
- The working temperature of the solar fixture is - 4 F to 104 F. But the Battery will stop charging at below 32 F.
- Battery power is less than 40%; the brightness will automatically be reduced by 50% .
- The indicator blinks green slowly when there is less than 10% battery power. When the charge is less than 5%, the fixture will shut down.
- The Battery drains every four months when not charged adequately by sunlight or electricity.

MUST DO BEFORE INSTALLATION:

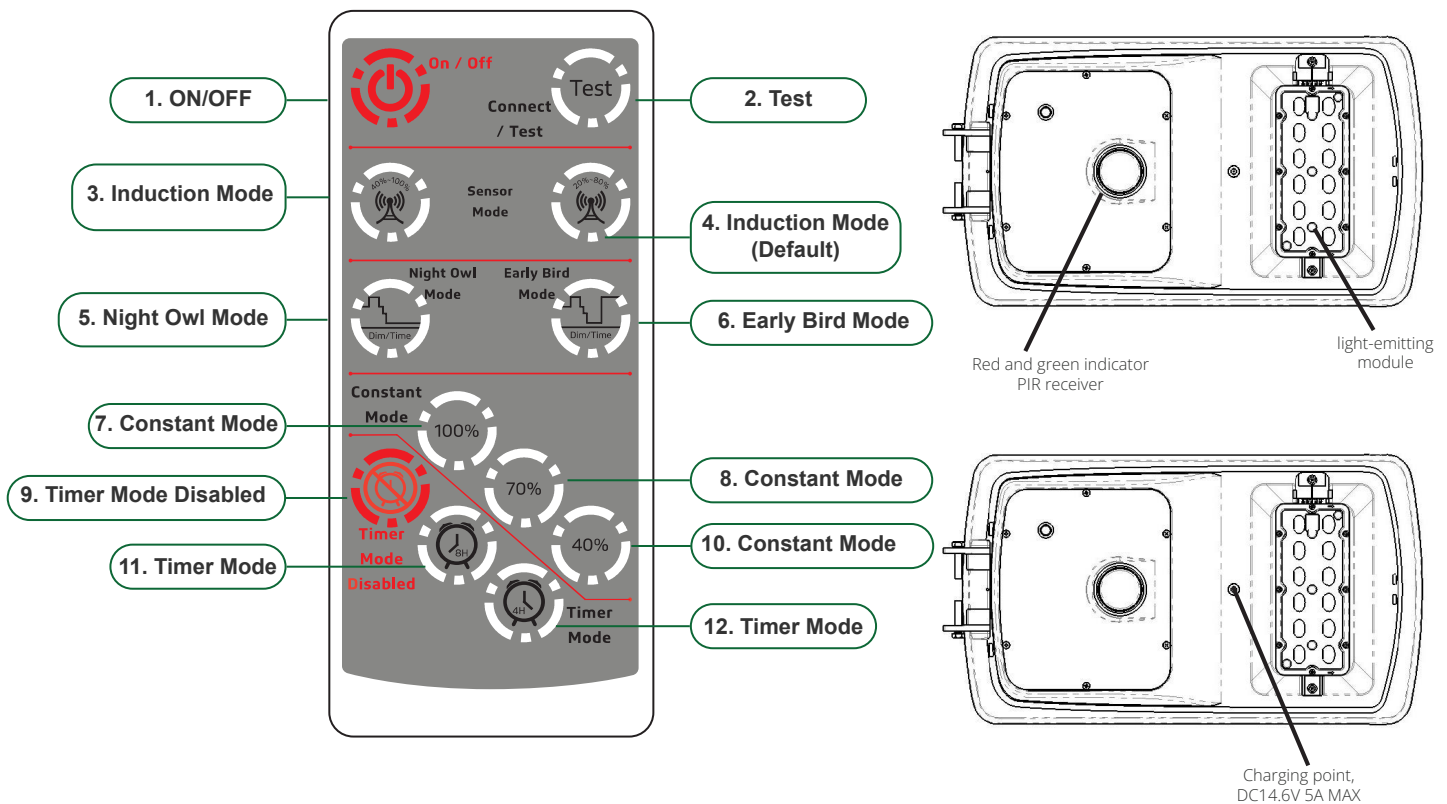
1. Before installation, please check the battery to see if it's fully charged. Please proceed to the installation on sunny days. Please see the indicator color guide on page 3
2. Before installation, please press the ON/OFF key in the remote control and check whether the red indicator blinks on the sensor. Please cover the panel and check if the indicator module turns on, generally within 1 minute. If the light is still off, try the ON/OFF key on the remote one more time. If the indicator doesn't blink red upon restart, contact the manufacturer.
3. (Before installation) Select the necessary operation mode with the remote control. Please refer to the instruction manual for the remote control for further information. Note: the fixture is best set at 20% constant brightness with lumen increase when motion is detected. See the remote control settings on page 2.
4. Before installation, please ensure the light pole foundation is solid enough to withstand the lighting fixture.
5. Optimize the lighting fixture positioning to optimize its exposition to sunshine. Always face the equator. (Solar panel to face south if in the northern hemisphere, for example)
6. To allow self-cleaning, please have a minimum angle of 15 degrees.
7. Adjust the lighting fixture angle to optimize its exposition to sunshine and the LED module angle toward the area too bright up.
8. Use the dedicated tool to disassemble the anti-theft screws. Note Dedicated tool not included or sold separately.
9. Please select the correct operating mode according to the local legislation needs and sunshine conditions. See the solar radiation map on page 4.

SOLF	VOLTAGE	WATTAGE	COLOR TEMP.	DIMMING
SOLF-17W-50K	120-277V AC	17W	5000K	Use the remote control to adjust
SOLF-36W-50K		36W		
SOLF-54W-50K		54W		



Introduction of Remote Control button

Note: Remote control not included **MUST BE PURCHASED** separately-1 Per Project



Function:

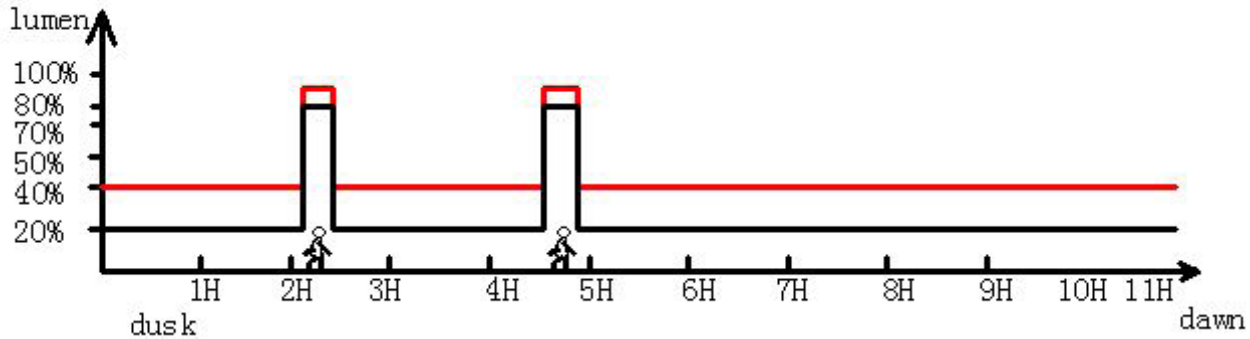
- ON/OFF:** when ON/OFF is pressed, the indicator blinks red if the fixture is fully charged and ready to work. The indicator blinks green if the battery power is less than 10%. If the indicator doesn't blink upon restart, contact the manufacturer.
- Test:** To sync the remote control with the lighting fixture, press hold for 3 seconds, then release this button. To test, press it once. If the test is successful, the fixture will light up to full brightness, dim down, and prepare for the next steps. If the test is unsuccessful, the fixture is either out of charge or turned off. Testing time lasts 10 seconds, and then it goes back to the previous mode in use.
- Induction Mode 40% - 100%:** Constant 40% brightness (turn on at dusk, turn off at dawn); the light goes on 100% brightness for 30 seconds when motion is detected
- Induction Mode 20% - 80% (Default):** Constant 20% brightness (turn on at dusk, turn off at dawn); the light goes on 80% brightness for 30 seconds when motion is detected
- Night Owl Mode:** Based on night-time activities: 70% brightness for Hour 0 (Dusk)-0.5, 100% brightness for Hours 0.5-3.5, 70% brightness for Hour 3.5-4.5, 50% brightness for Hour 4.5-5.5, 20% brightness for Hours 5.5-11 (Dawn).
- Early Bird Mode:** Based on night-time activities with increased brightness for early risers: 70% brightness for Hour 0 (Dusk)-0.5, 100% brightness for Hours 0.5-3.5, 70% brightness for Hour 3.5-4.5, 50% brightness for Hour 4.5-5.5, 20% brightness for Hours 5.5-10, 70% brightness for Hour 10-11 (Dawn).
- Constant Mode 100%:** 100% brightness from dusk to dawn. Suitable for areas and seasons with sufficient sunlight.
- Constant Mode 70%:** 70% brightness from dusk to dawn. Suitable for areas and seasons with sufficient sunlight.
- Timer Disabled:** Press this button to turn off Timer Mode; Settings go back to the previous mode that was set before timer mode.
- Constant Mode 40%:** 40% brightness from dusk to dawn. Suitable for areas and seasons with sufficient sunlight.
- Timer Mode 4 Hours:** Light turns off 4 hours after it turns on (dusk). For example: Press this button at any time; if the light turns on at 7pm, it will turn off at 11 pm. It will repeat the same schedule hereafter until it is canceled by using 10 Timer Disabled.
- Timer Mode 8 Hours:** 8 Hours Light turns off 8 hours after turning on (dusk). For example: Press this button at any time; if the light turns on at 7 pm, it will turn off at 3 am. It will repeat the same schedule hereafter until it is canceled by using 10 Timer Disabled.

- The range of the remote control to the indicator is 16ft (Day time) to 33ft (Nighttime). Because the sunlight will impact the signal of the remote control, we recommend that users set up the mode before they install the light.

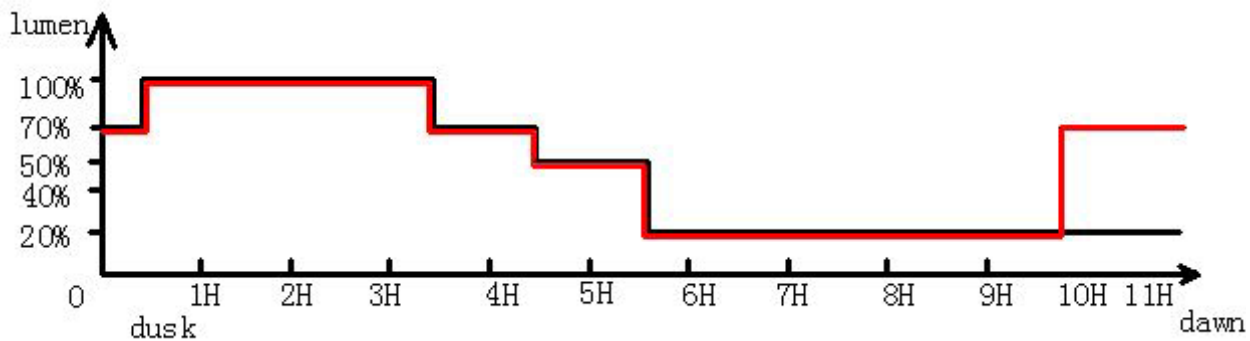


Remote Control Diagram Demonstration

1. Bi Level Setting:



2. Gradual Dim Settings :



INDICATOR GUIDE

Normal Outdoor Operation:

1. The light is charged and ready to work (Stand By Mode): Red indicator flashes slowly
2. The battery has less than 10% charge: Green indicator flashes fast
3. The light is on (Working Mode): Solid green indicator
4. The fixture/battery is defective: The Red indicator flashes fast

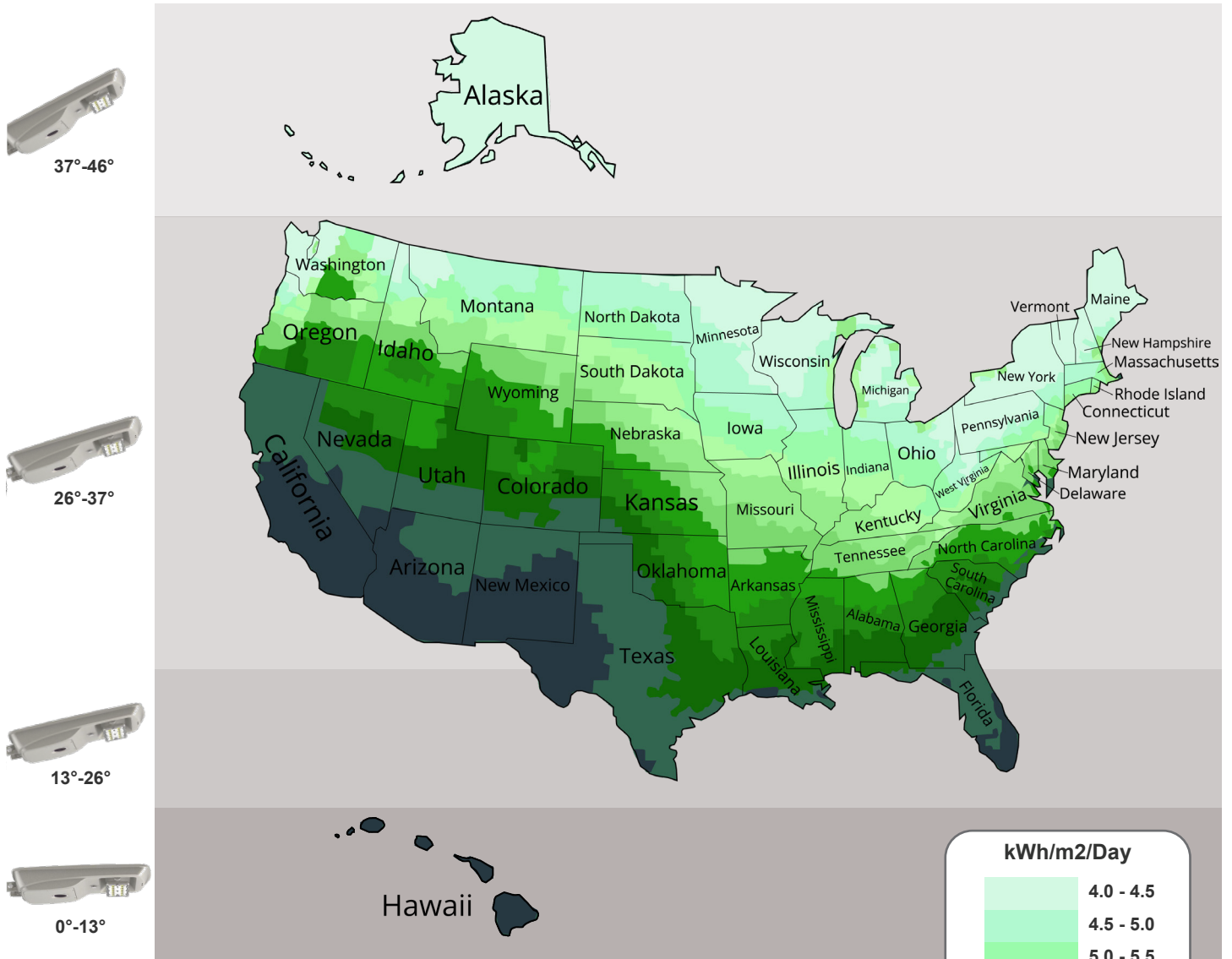
When charger (sold separately) is plugged-in:

5. The battery is charging (Stand By Mode): Red indicator flashes slowly
6. The fixture/battery is defective: The Red indicator flashes fast



Average Daily Solar Radiation Per Month:

Increasing the tilt by 15° in the winter or decreasing by 15° in the summer gives the maximum sunlight for recharging the battery.



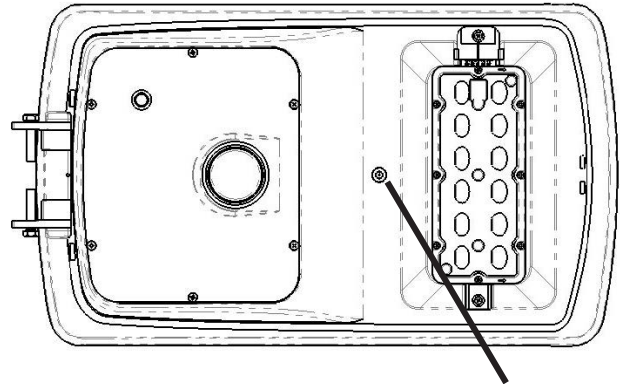
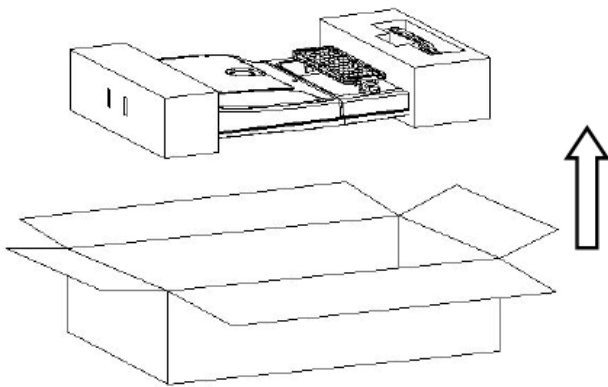
- The best facing direction for the solar panel is toward the south. facing west & east & or north will provide less sunlight, resulting in a long time to charge the battery. The solar charge will be less optimal if the installation is facing north.



Step By Step Installation guide

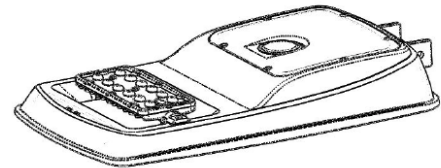
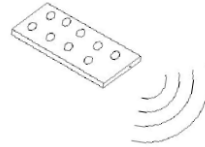
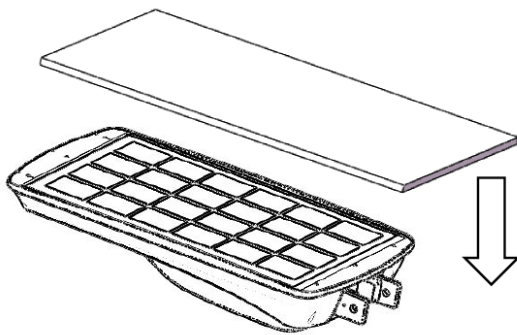
Open the package and do inspection

1. guide1. Take out the fixture and the tools from the package.
2. Press the ON/OFF key on the remote control and check whether it shows red light on the sensor. If still not, use adedicated charger to charge



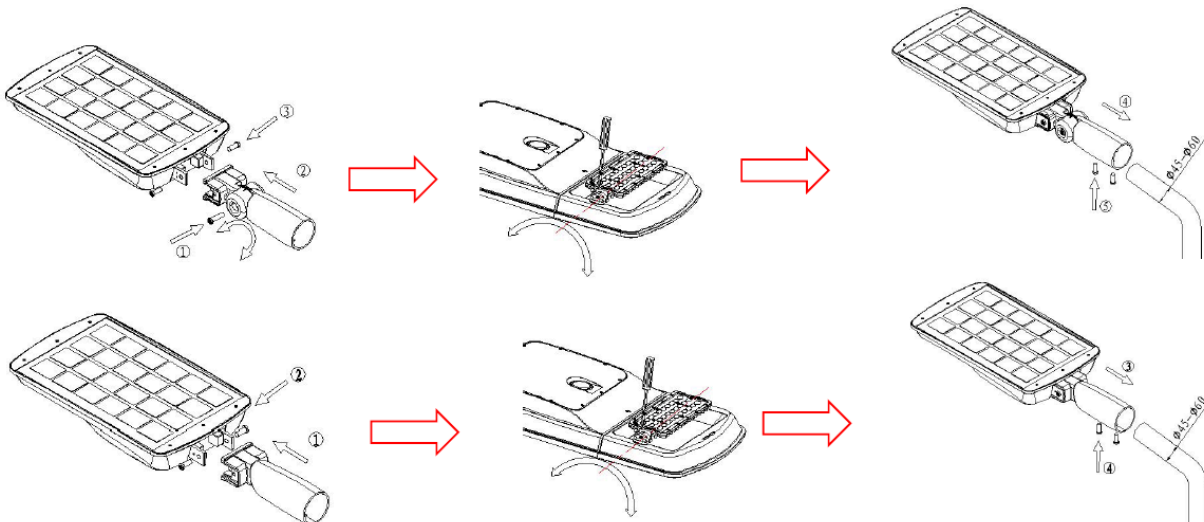
Charging point, DC14.6V 5A MAX

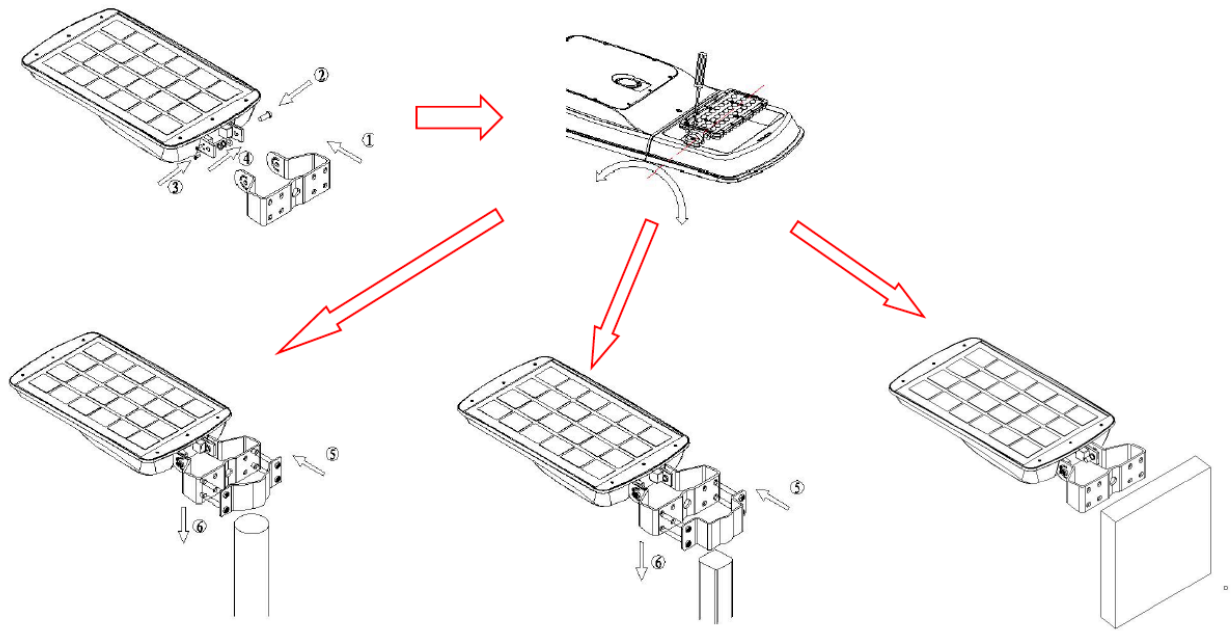
3. Cover the solar panel and check if the light module turns on
4. Press the test button on the remote control to test if the function is normal and set the necessary operation mode. Thelight module will flash twice when receiving the signal from the remote control. The default setting is Induction mode20%-80%



Installation steps

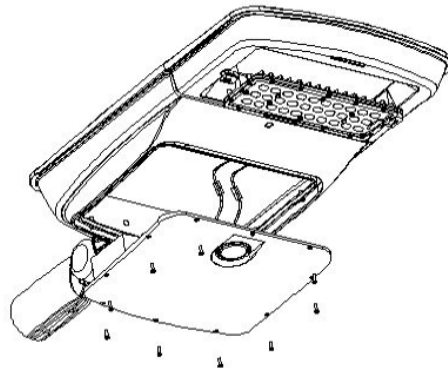
4. Ensure the On/Off Button and the Test button has been pressed before installation.
5. Using the dedicated tool to assemble the light body and the mounting accessories, adjust the light fixture and LED module to a suitable angle.
6. Install the light to the round pole, square pole, or wall; tighten the screws and the nuts when fixed





Adjustment steps

Select the correct operating mode according to the user's needs and the local sunshine conditions.

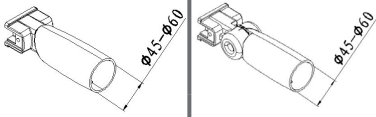
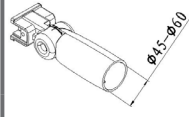
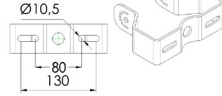
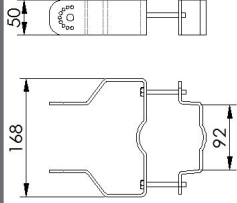
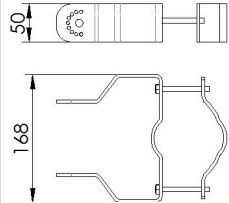
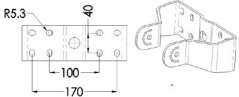
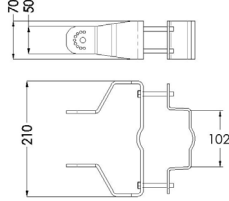
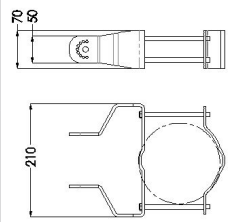


Replacement and Maintenance operations:

In case of battery failure or end of life, loosen the screws on the battery cover, disconnect the wire connectors, replace the whole battery cover kit (including the smart control system, battery, and cover), connect the wires, and tighten the screws.



Mounting Accessories

Item	Fixed arm mounting	Slip fitter mounting	U-Trunnion mounting	Square-Hoop Mounting	Round -Hoop Mounting
17W Solar Street light			 <p>1.Wall mounted 2.Square pole above 100mm</p>	 <p>1.Round pole : Φ50-Φ90mm 2.Square pole 50-90mm</p>	 <p>Round pole: Φ50-Φ110mm</p>
36W Solar Streetlight			 <p>1.Wall mounted 2.Square pole above 120mm</p>	 <p>1.Round pole : Φ60-Φ100mm 2.Square pole 50-100mm</p>	 <p>Round pole: Φ50-Φ120mm</p>
54W Solar Streetlight					

